

Molteni & C

MATEO — VINCENT VAN DUYSSEN 2023

1—
5



The Mateo table, designed by Vincent Van Duysen, introduces fresh possibilities in 2024. Featuring a characteristic central base with a conical shape, vertically grooved at the base, this table is enriched with new compositional options. Available in both dining and lounge versions, the Mateo table offers a range of sizes to accommodate various settings. The dining version includes round tops in sizes 140, 160, 180, and 200 cm, as well as oval tops in 220 and 250 cm, supplemented by a new version with two bases and oval top in marble in 300, 350 and 400 cm version, perfect for larger spaces and social gatherings. The distinctive conical base is now offered with a polished steel finish, in addition to classic options such as coffee oak, sunrise oak, glossy lacquers, and burnished metal. Van Duysen explained, "In constructing the central pedestal, I drew inspiration from the solidity of a company and its 90-year history—deeply anchored roots upon which the leap into the future rests." Representing a modern approach to dining, this table boasts scalable proportions and sleek lines, designed to elevate the art of entertaining.

DATASHEET

REGISTERED
DESIGN

2025

FINISHES

TOP FINISHES

- Wood: coffee oak / sunrise oak
- Glossy lacquer: in the colours of the Molteni&C range
- Emperador dark with matt or glossy polyester finish
- Black marquina with matt or glossy polyester finish
- Red lepanto with matt or glossy polyester finish
- Calacatta with matt or glossy polyester finish

BASE FINISHES

- Burnished matt lacquer
- Wood: coffee oak / sunrise oak
- Glossy lacquer: in the colours of the Molteni&C range
- Shiny steel

LAZY SUSAN MARBLE FINISHES

- Emperador dark with matt or glossy polyester finish
- Black marquina with matt or glossy polyester finish
- Red lepanto with matt or glossy polyester finish
- Calacatta with matt or glossy polyester finish



The product is available with other kinds of stone in **matt and glossy finish**, present in the Molteni&C collection, subject to feasibility and price request. For more information please contact the Sales Office.

TECHNICAL INFORMATION

WOOD BASE

Internal metal structure with steel counterweights (where necessary). Curved outer shell made of moulded, edge-glued medium-density fibreboard covered in wood veneer.

LACQUERED/BURNISHED BASE

Internal metal structure with steel counterweights (where necessary).

Curved moulded shell made of rigid polyurethane painted in the colours in the Molteni&C range. For lounge tables Ø 200 and 250, curved outer shell made of medium-density moulded fibreboard, painted.

SHINY STEEL BASE

Internal metal structure with steel counterweights (where necessary).

Curved moulded shell made of rigid polyurethane covered with shiny steel sheet.

For lounge tables Ø 200 and 250, curved shell made of medium-density moulded fibreboard, covered with shiny steel sheet.

WOOD OR LACQUERED TOP

Medium-density fibreboard panel covered with wood veneer or painted in the colours in the Molteni&C range.

MARBLE TOP

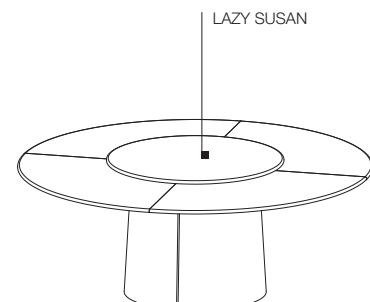
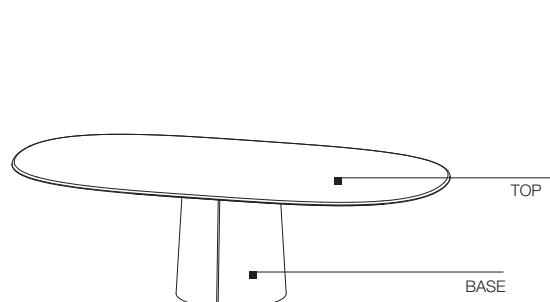
Marble with glossy or matt surface treatment.

Support in black melamine-faced wood particle board or in anthracite painted medium density fiberboard.

For the Ø 250 the top support is a welded and black painted steel frame.

MARBLE LAZY SUSAN

Marble with glossy or matt surface treatment. Rotating mechanism in anodised aluminium with details in different materials.



DATASHEET

REGISTERED
DESIGN

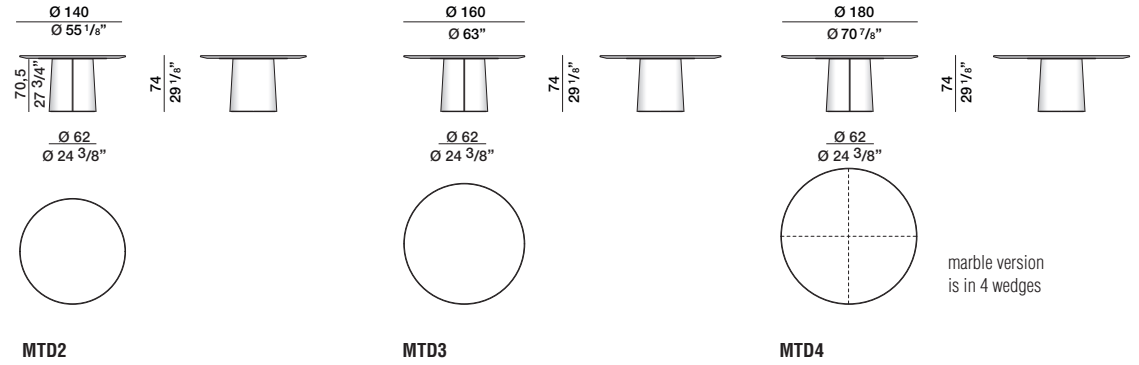
2025

DIMENSIONS

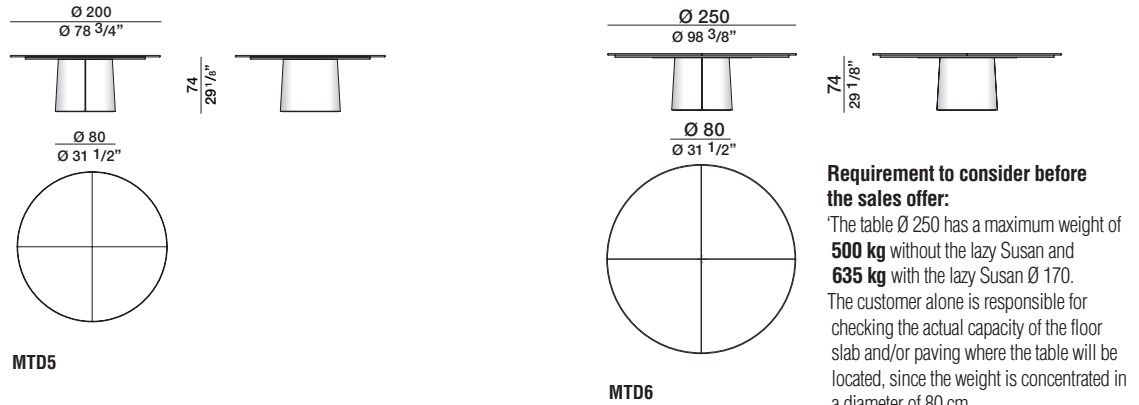
Notes

No reductions of any kind or changes to the types are possible.

round dining tables



round dining tables



Requirement to consider before the sales offer:
The table Ø 250 has a maximum weight of **500 kg** without the lazy Susan and **635 kg** with the lazy Susan Ø 170. The customer alone is responsible for checking the actual capacity of the floor slab and/or paving where the table will be located, since the weight is concentrated in a diameter of 80 cm. Molteni&C S.p.A. is not liable for any damage to property and/or people.

Lazy Susan Ø 80 th 4
for dining tables Ø 160 / Ø 180

Lazy Susan Ø 100 th 4
for dining tables Ø 180

Lazy Susan Ø 120 th 4
for dining tables Ø 200

Lazy Susan Ø 170 th 4
for dining table Ø 250



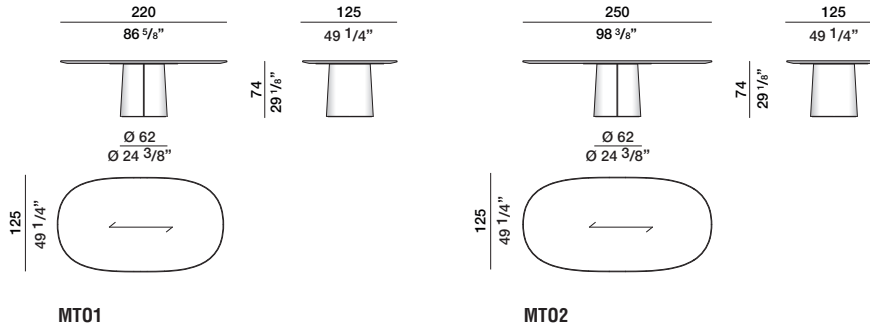
DATASHEET

REGISTERED
DESIGN

2025

DIMENSIONS

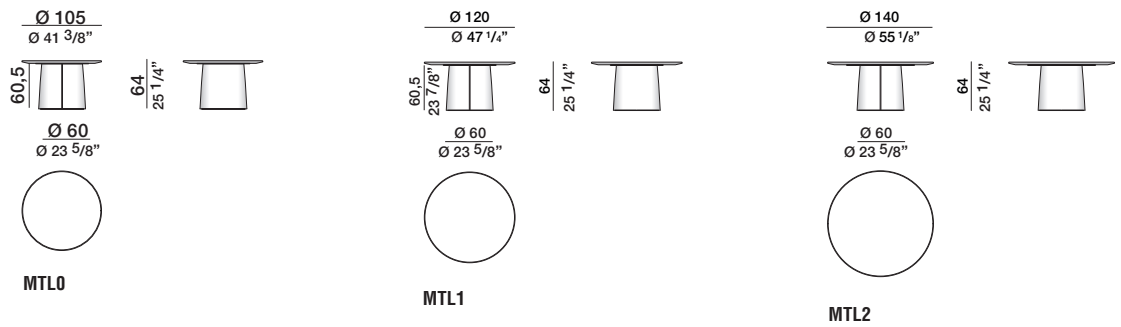
oval dining tables



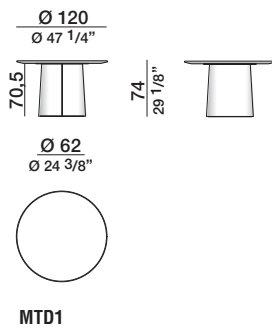
Molteni & C

4—
5

round lounge tables H 64



round lounge table H 74



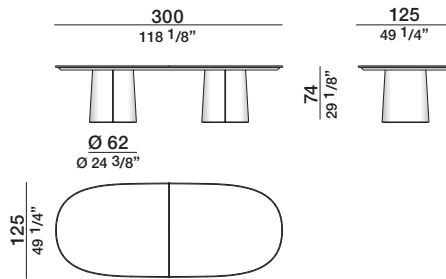
DATASHEET

REGISTERED
DESIGN

2025

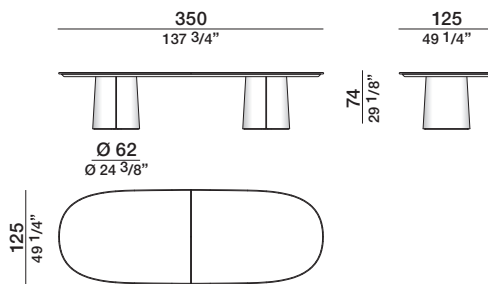
DIMENSIONS

oval dining tables with double base



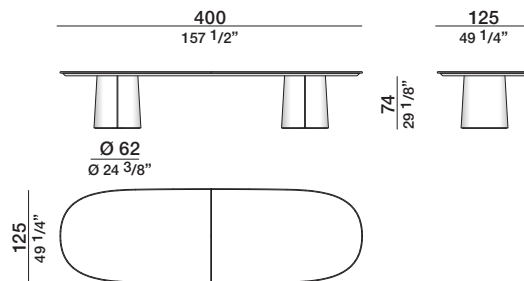
MT03

oval dining tables with double base



MT04

oval dining tables with double base



MT05

DATASHEET

REGISTERED
DESIGN

2025