

Molteni & C

ARIAL — STUDIO KLASS 2024

1—
18

DATASHEET

REGISTERED
DESIGN

IV.2024

moltenigroup.com

Dimensions in millimeters and inches. The right to discontinue and make changes is reserved. This information is based on the latest product information available at the time of printing.

INTRODUCTION

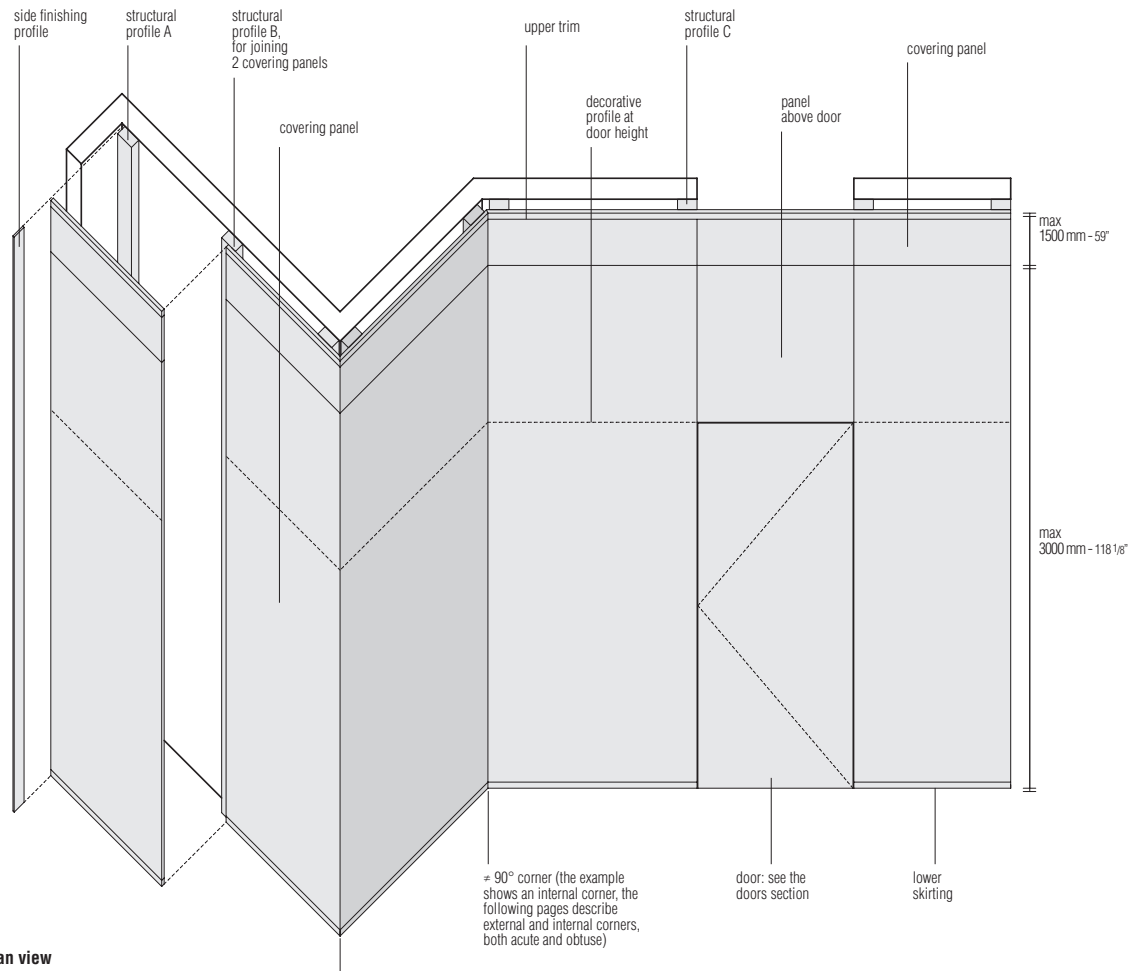
The Arial system consists of vertical profiles for wall attachment and covering panels, available in different finishes and sizes. Combining the different panels allows for the development of customised solutions up to a maximum height of 4500 mm. The covering panels can be customised in width for any design requirement. All designs will be assessed by the Molteni&C Technical Department for feasibility and will only be produced after receipt of the order confirmation signed by the customer.

Measuring, correct submission of the measurements and assembly are the customer's responsibility. Before assembly, check the suitability of the wall where the Arial system will be installed. Installers must ensure they use the correct type of mounting bolts or anchoring system for the wall.

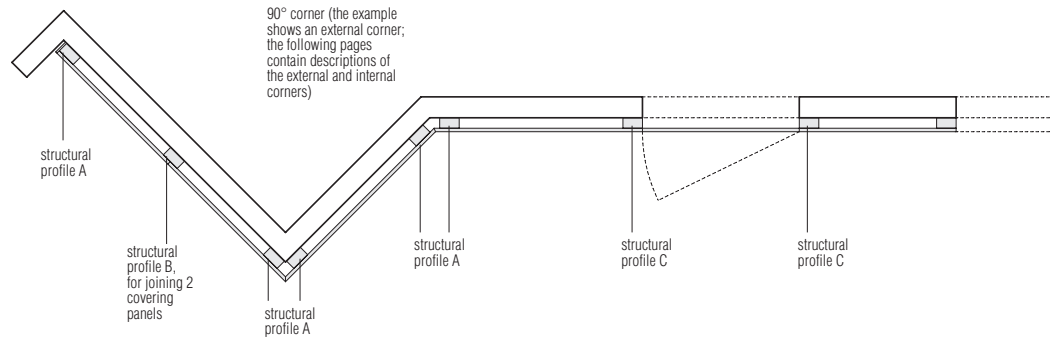
Molteni&C

2—
18

Axonometric view



Plan view



DATASHEET

REGISTERED
DESIGN

IV.2024

FINISHES

finishes	natural aluminium	pewter colour/iris	matt lacquer	wood	Blend fabric	glossy lacquer
----------	-------------------	--------------------	--------------	------	--------------	----------------

components

structural profile	•					
horizontal / vertical finishing profiles		•				
lower skirting / upper trim		•				
covering panels			•	•	•	
door	internal cover		•	•	•	•
	external cover		•	•	•	•
jamb			•	•	•	•
architraves			•	•		•

colours

Matt lacquers / Glossy lacquer

BC chalk white
PE pearl
DN dune
PL platinum
NE black
AT anthracite
SE mustard
SI silica
DO dolomite grey
AL clay
MK moka
CZ light blue grey
SA sand
RU ruby
PX pewter colour
RX copper
TO dove grey
PR petroleum blue
BG burgundy
LS london sky
SU stardust
ML moonlight
SP spice
PG pine green
AW almond white
white (Molteni Kitchens)
light grey (Molteni Kitchens)
PB lead
IX iris
CP cappuccino

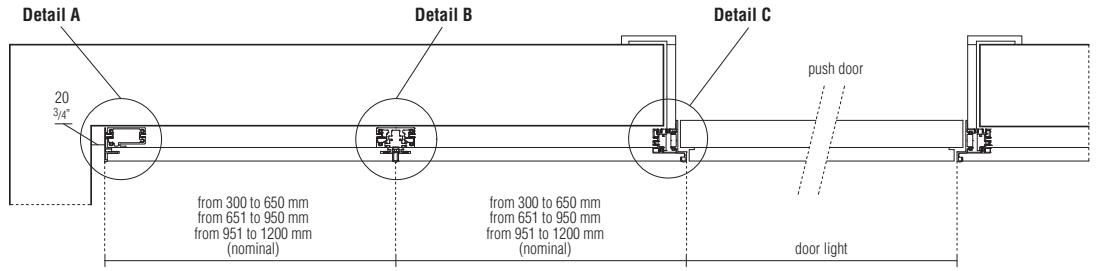
Wood (always with vertical grain)

RF graphite oak
RN black oak
RC coffee oak
RS sunrise oak

Blend fabric

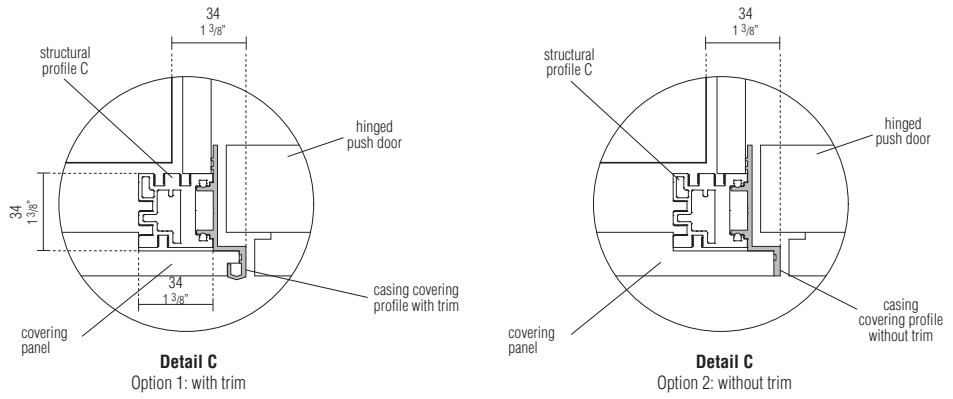
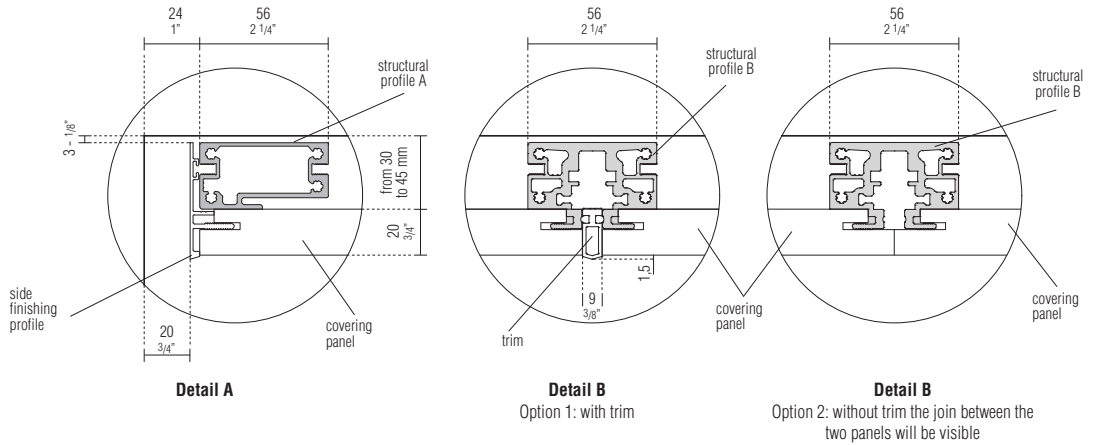
Vanilla
Moss green
Olive green
Oxide orange
Bark brown

PANELLING COMPOSITION - LINEAR SOLUTION WITH PUSH DOOR



Molteni&C

4—
18

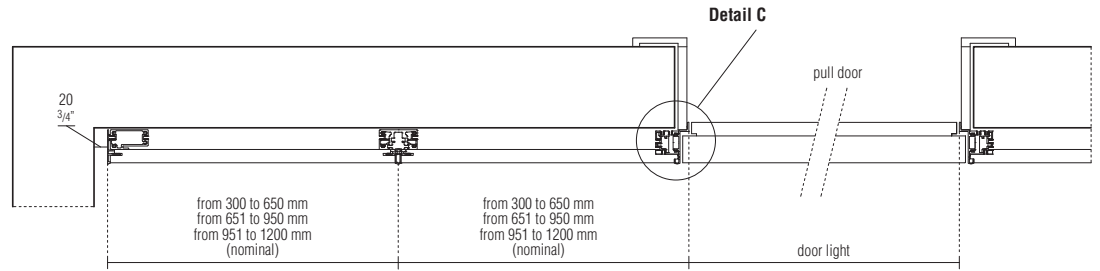


DATASHEET

REGISTERED
DESIGN

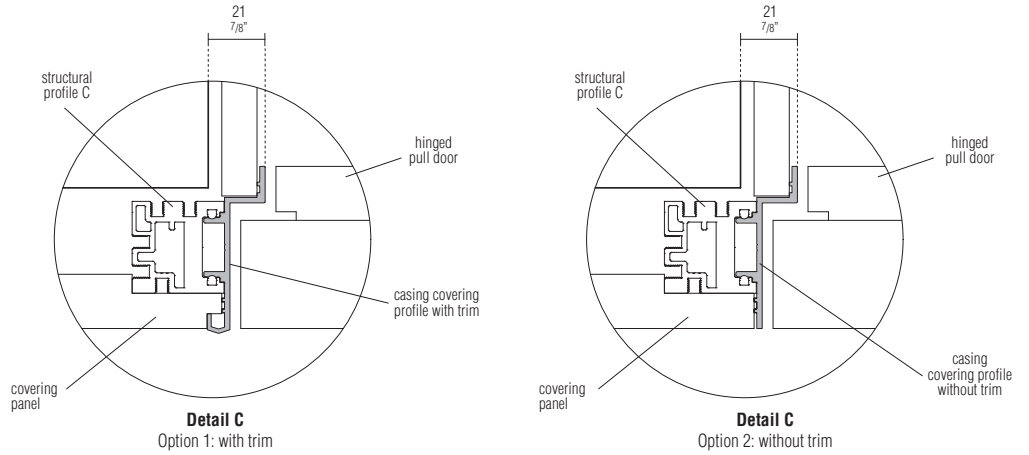
IV.2024

PANELLING COMPOSITION - LINEAR SOLUTION WITH PULL DOOR



Molteni & C

5—
18



DATASHEET

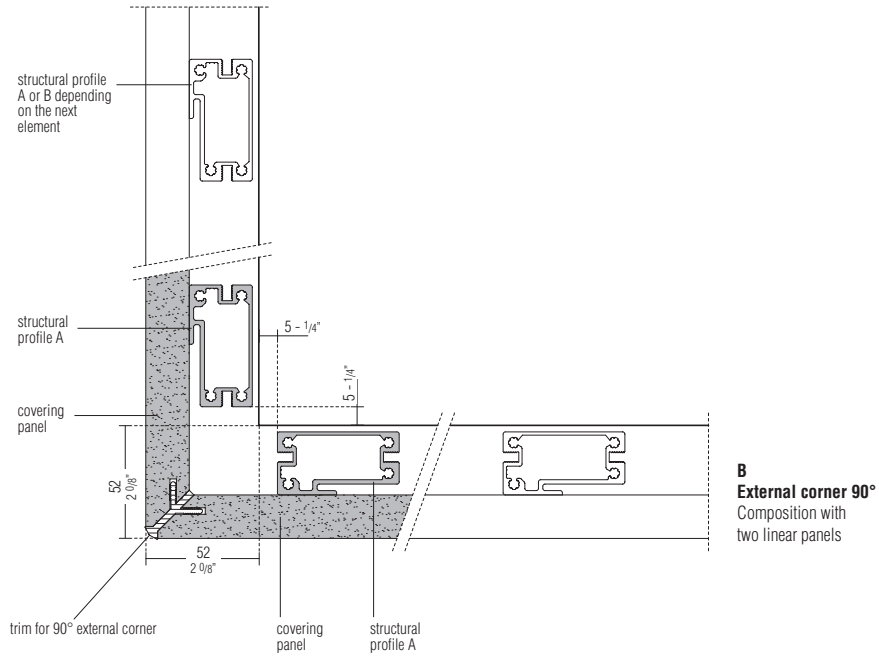
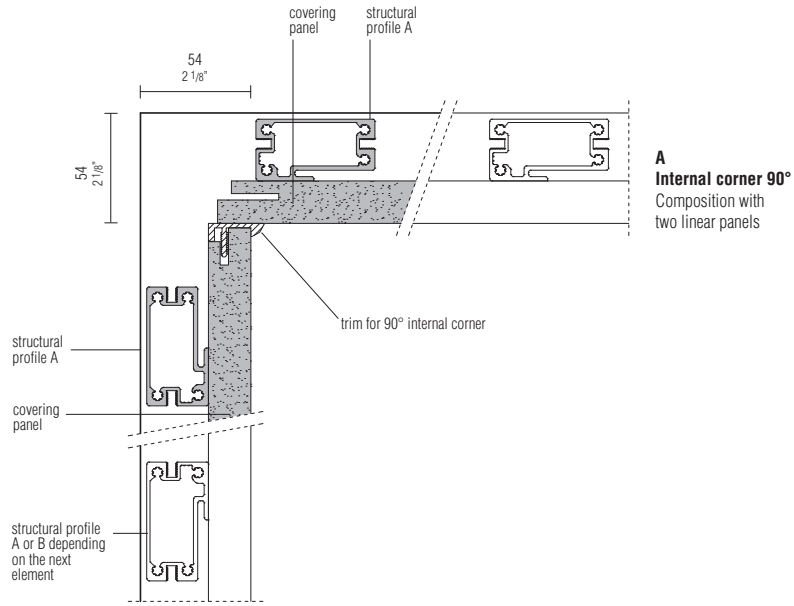
REGISTERED
DESIGN

IV.2024

PANELLING COMPOSITION - 90° CORNER SOLUTIONS

Molteni & C

6—
18



DATASHEET

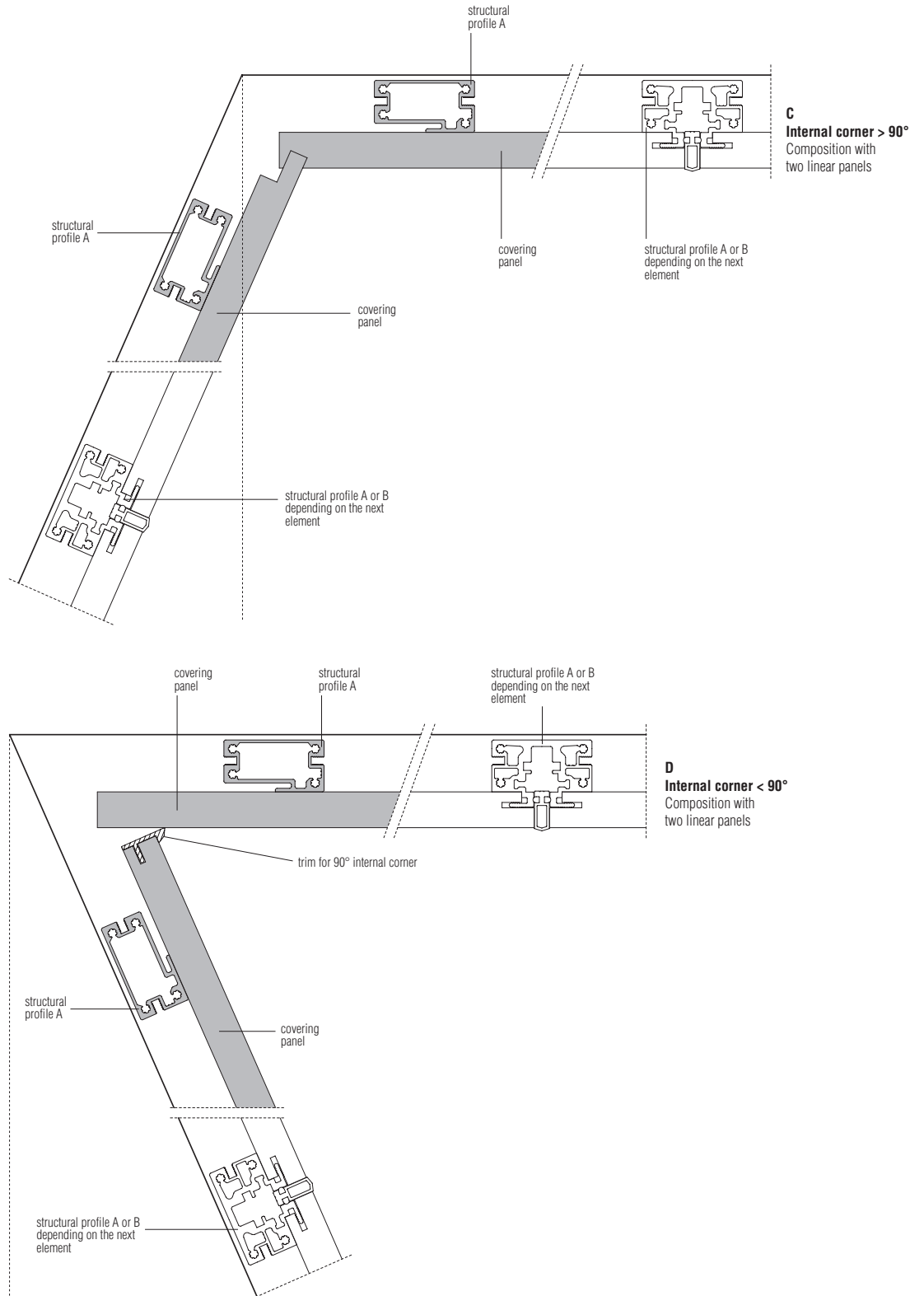
REGISTERED
DESIGN

IV.2024

PANELLING COMPOSITION - INTERNAL CORNER SOLUTIONS

Molteni & C

7—
18



DATASHEET

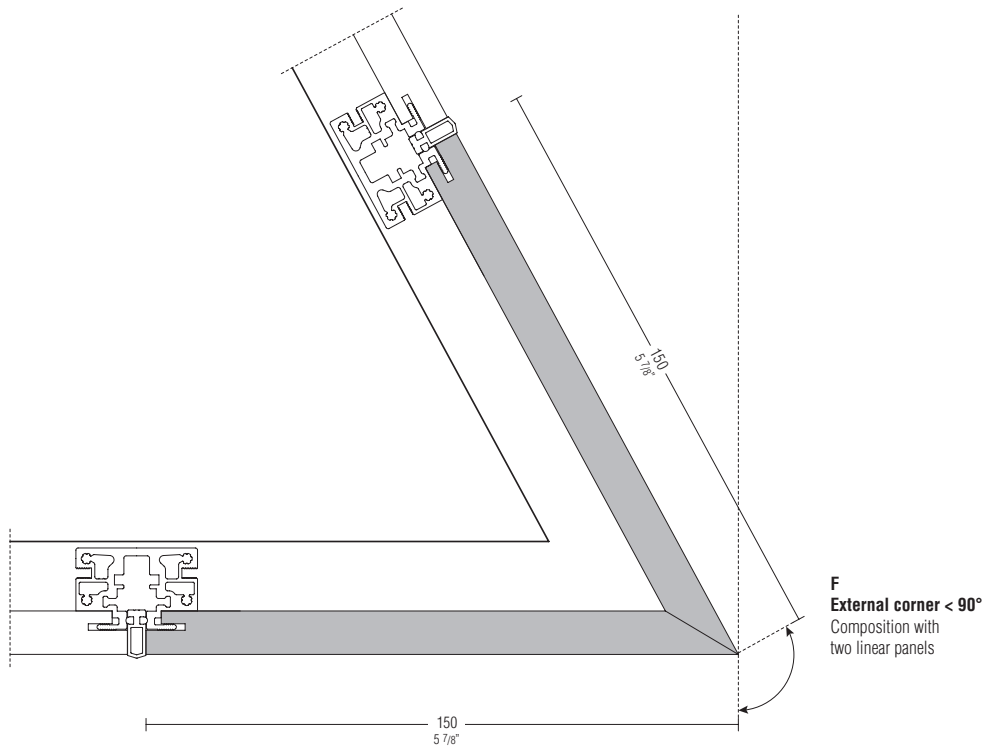
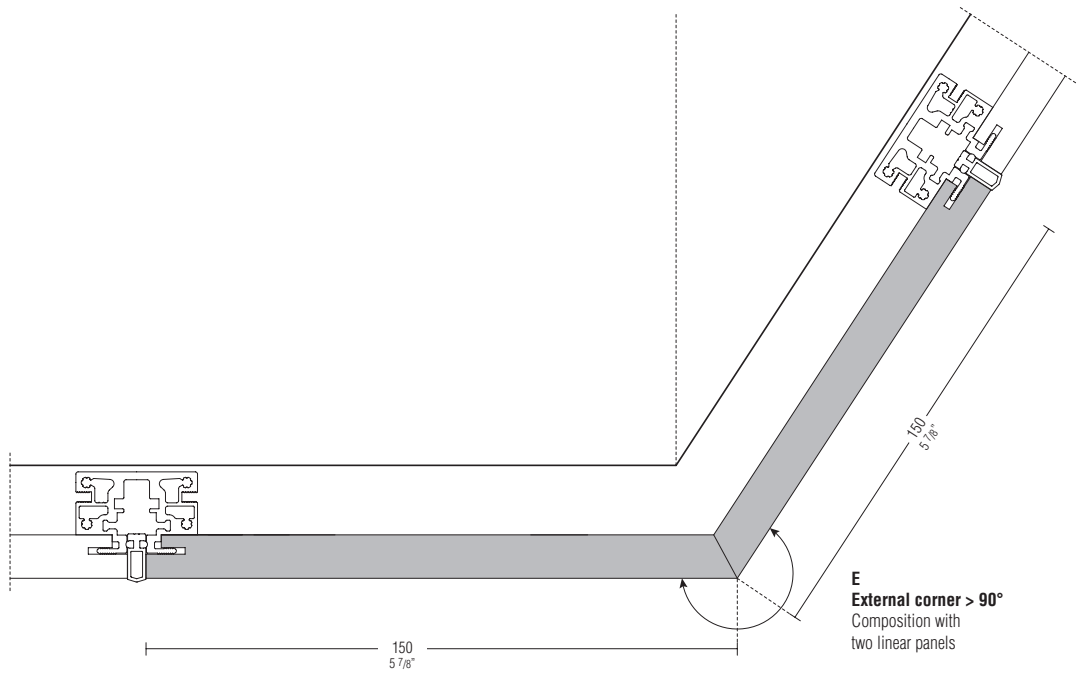
REGISTERED
DESIGN

IV.2024

PANELLING COMPOSITION - EXTERNAL CORNER SOLUTIONS

Molteni & C

8—
18



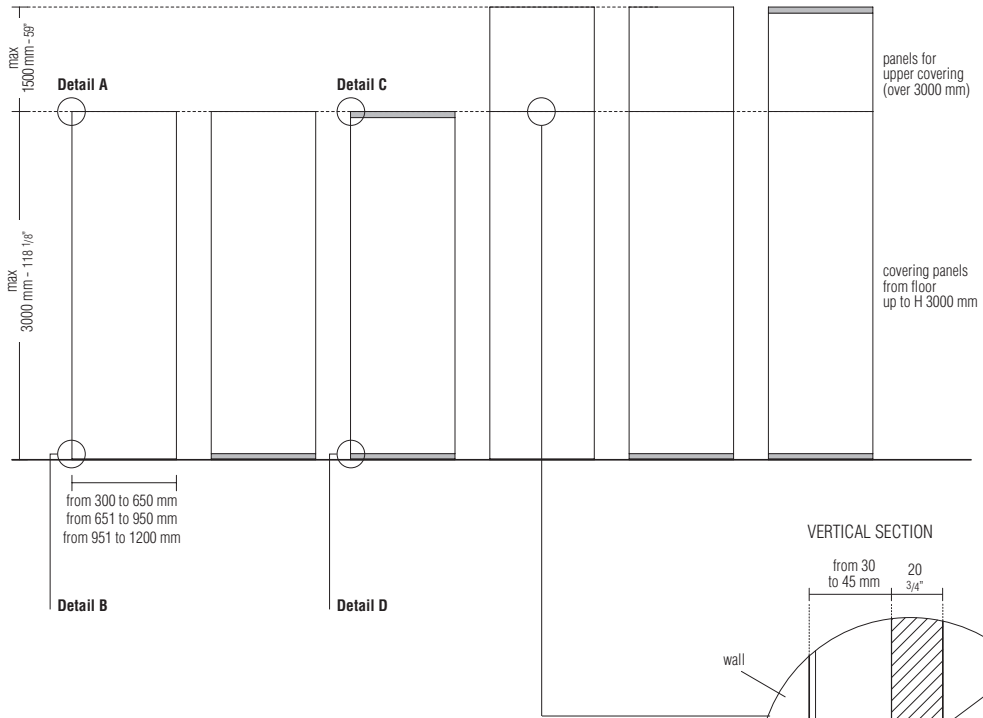
DATASHEET

REGISTERED
DESIGN

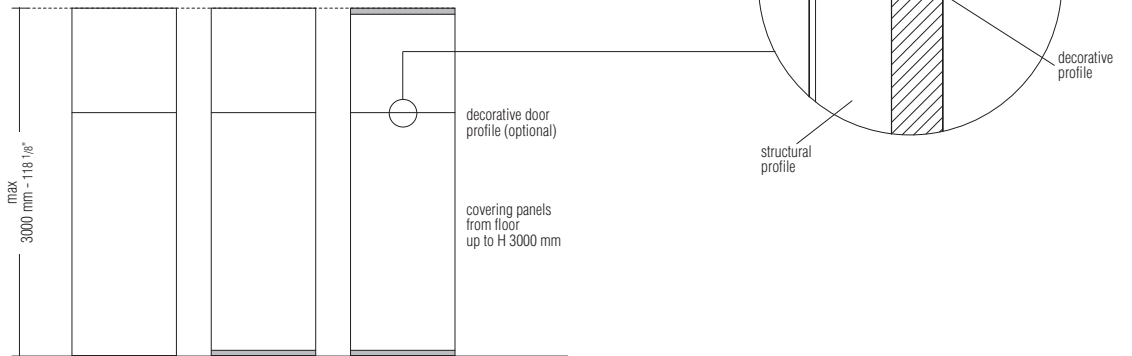
IV.2024

COVERING PANELS - POSSIBLE CONFIGURATIONS

Covering panels without horizontal decorative profile



Covering panels with horizontal decorative profile (always at top-of-door height)



Molteni & C

9
18

DATASHEET

REGISTERED
DESIGN

IV.2024

moltenigroup.com

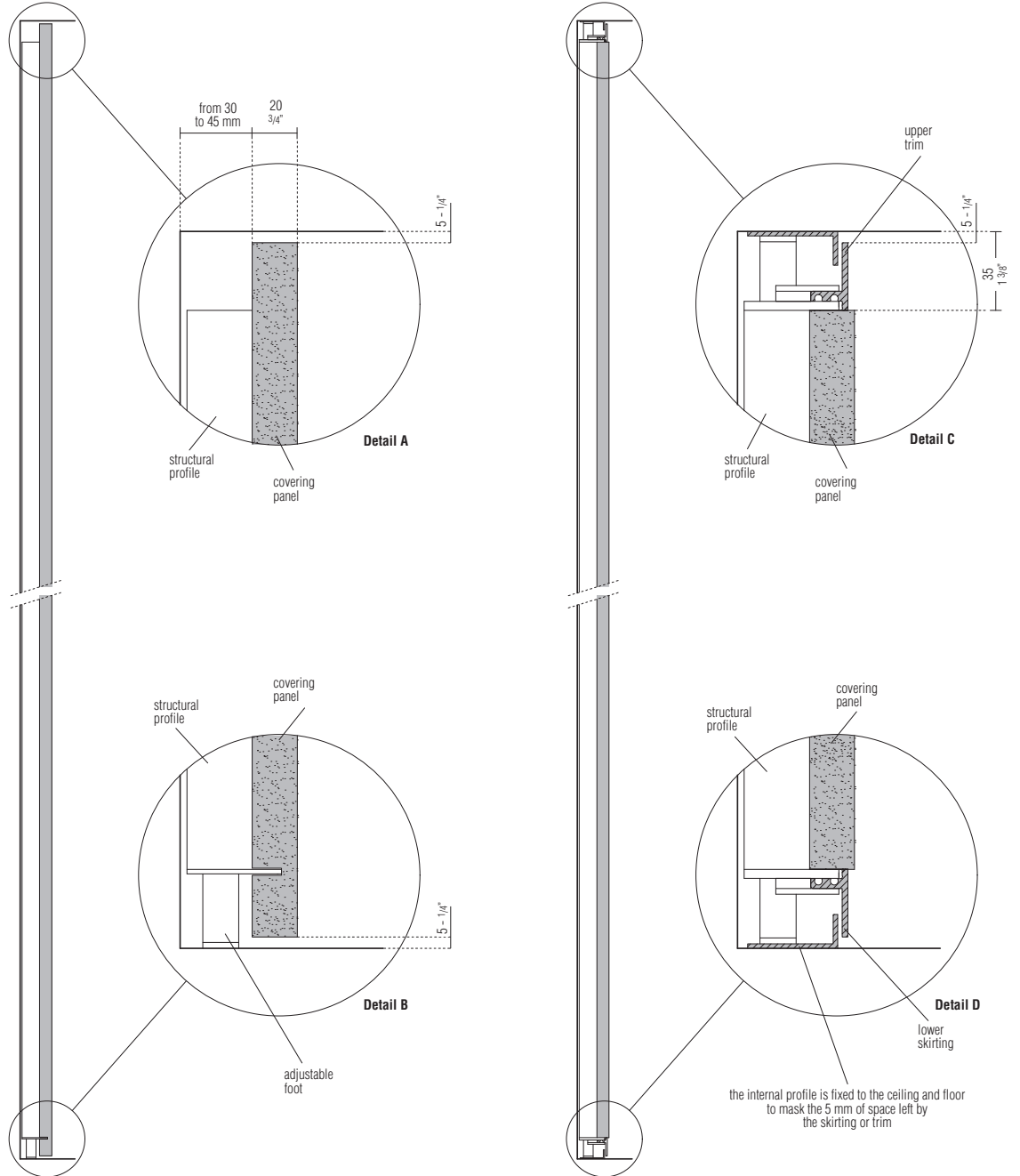
Dimensions in millimeters and inches. The right to discontinue and make changes is reserved. This information is based on the latest product information available at the time of printing.

COVERING PANELS - POSSIBLE CONFIGURATIONS

Vertical sections:
Detail of the lower and upper parts of the covering panels

Molteni & C

10—
18

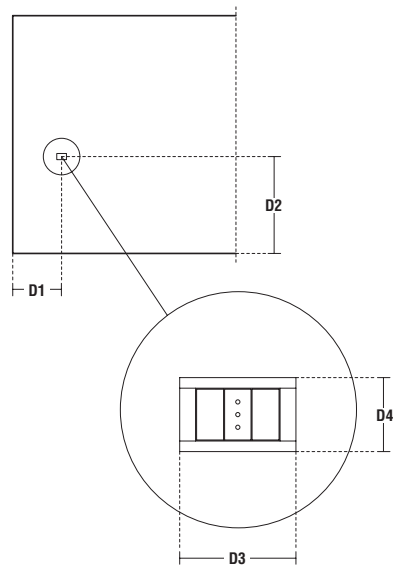


DATASHEET

REGISTERED
DESIGN

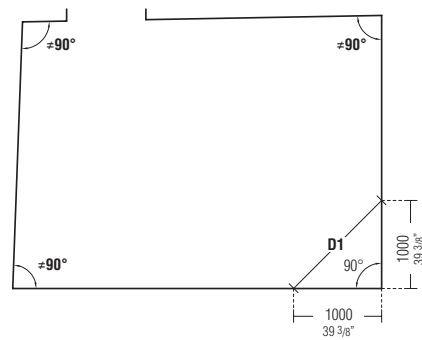
IV.2024

MEASUREMENTS



Measuring electrical outlets

- D1:** Distance between the electrical socket and a fixed point in the room
- D2:** Distance between the electrical socket from the floor or ceiling
- D3:** Width of the wall plate (or diameter)
- D4:** height of wall plate



Plan measurements

the measurements must also include the plan of the room, especially if the panelling is installed on all the walls.

- D1:** angles can still be calculated without the use of a digital protractor. When the angle is exactly 90° , measurement D1 is equal to 1414 mm.

FIXING SUSPENDED UNITS

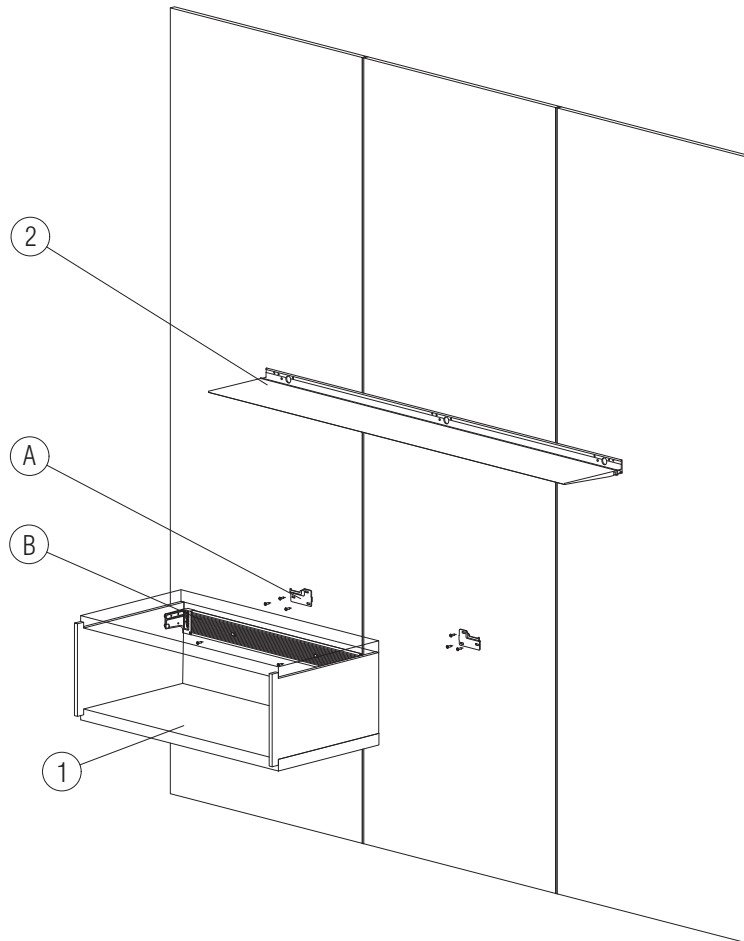
LOGOS compositions and individual PASS-WORD EVOLUTION shelves can be hung directly and in any position on the Aerial covering panels.

Notes

It is the customer's responsibility to check the suitability of the wall to which the Aerial panelling will be fixed. If the hanging elements are fitted with LED lighting, the customer is responsible for preparing the panelling for the passage of cables or electrical sockets.

Molteni & C

13—
18



1 - LOGOS: Fixing with the brackets supplied (A) and the connection bar inside each module (B)
Maximum capacity: Compositions H 358/507 20 kg per LM evenly distributed;
Compositions H 656 20 kg per LM evenly distributed + 10 kg for each inside compartment;
Compositions H 1250 20 kg per LM evenly distributed + 20 kg for each inside compartment.

2 - PASS-WORD EVOLUTION single shelves: Maximum capacity 20 kg per LM evenly distributed.

DATASHEET

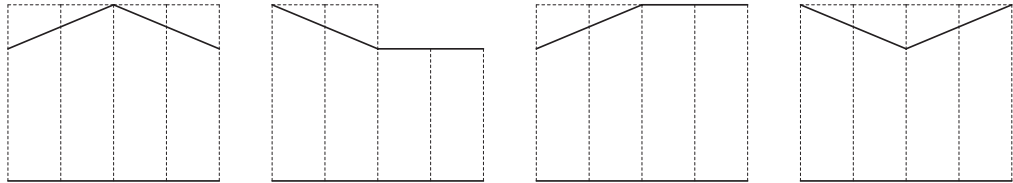
REGISTERED
DESIGN

IV.2024

SHAPING COVERING PANELS

Installation feasibility must be assessed on a case-by-case basis.
The upper trim cannot be added to covering panels.

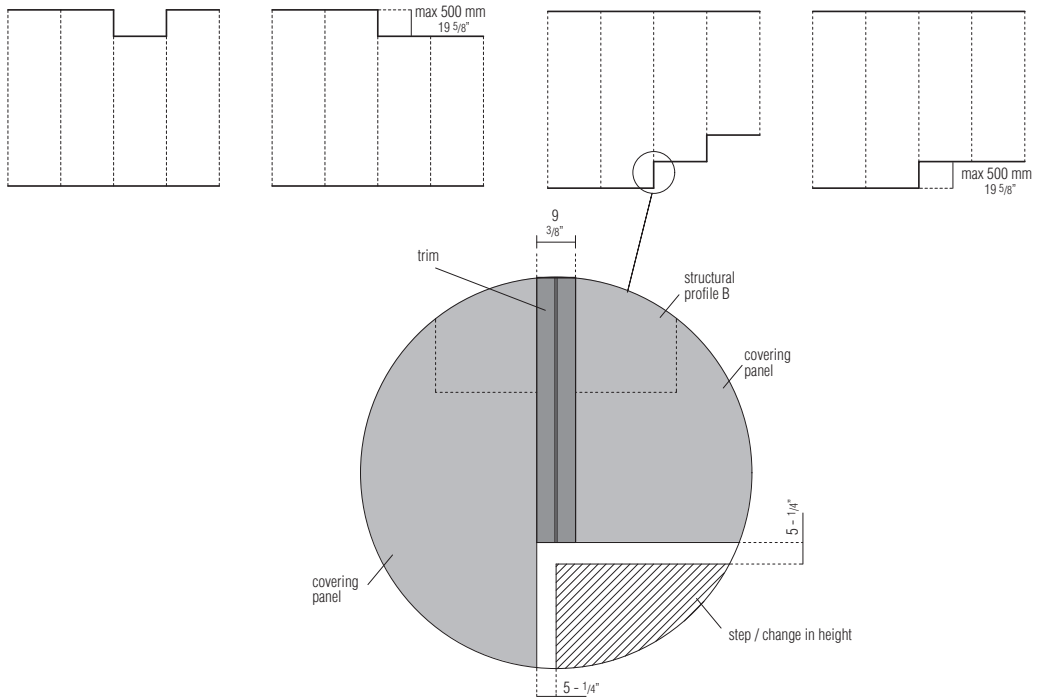
Possible configurations



Molteni & C

14—
18

In the cases shown below, it is not necessary to shape the panels.



DATASHEET

REGISTERED
DESIGN

IV.2024

DOORS FOR PANELLING

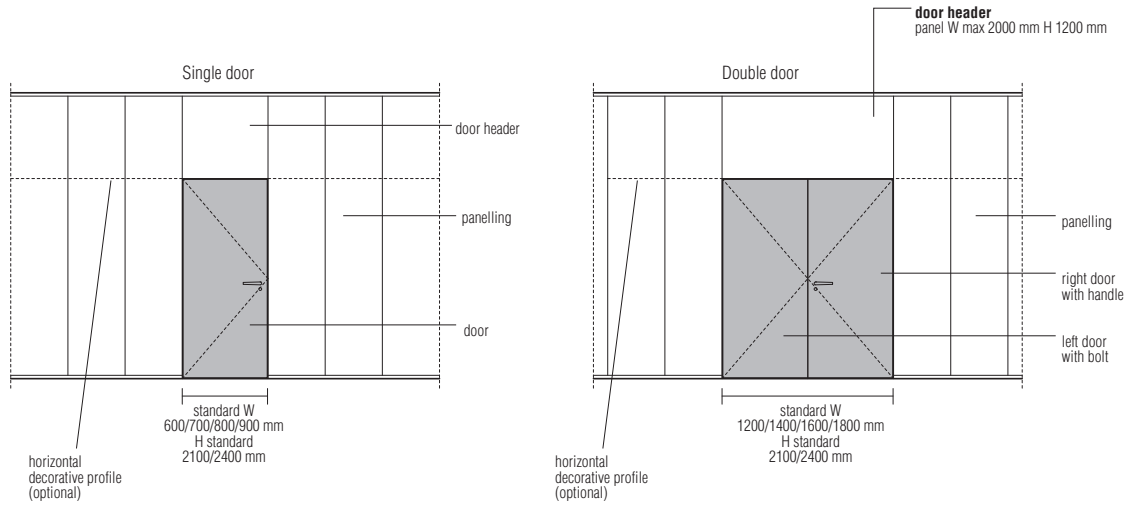
Notes

For the double door, the handle is installed on the right-hand door.
On request (with no extra charge) the handle can be supplied on the left-hand door.
In case of double doors the maximum height cannot exceed 4200 mm
(door H 3000 mm + door header H 1200 mm)

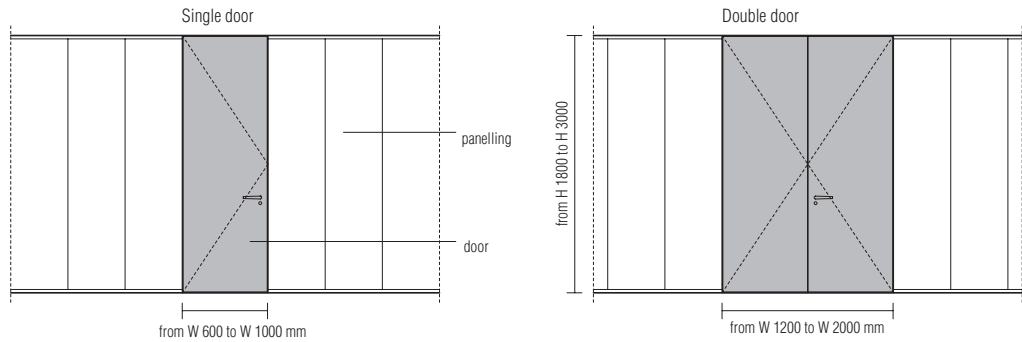
Molteni & C

15—
18

Standard sizes

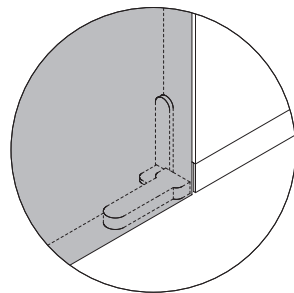


Made to measure

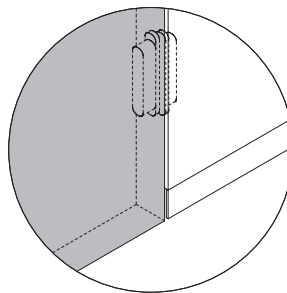


Type of hinges and openings

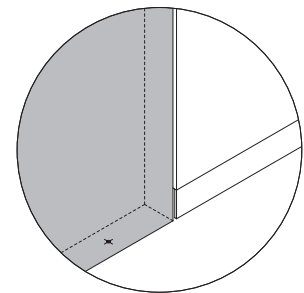
Invisible hinge



Side recessed hinge



Pivot hinge (pivot door)



DATASHEET

REGISTERED
DESIGN

IV.2024

DOORS FOR PANELLING WITH PULL OPENING

The door opening direction is always indicated with respect to the coplanar side, i.e. the side where the door is aligned with the wall (panelling).

Right or left opening

The opening direction is defined by the position of the hinges, always with reference to the coplanar side. The position of the hinges is usually on the opposite side to the switch.

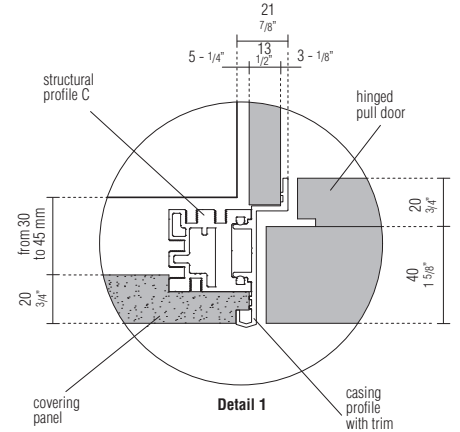
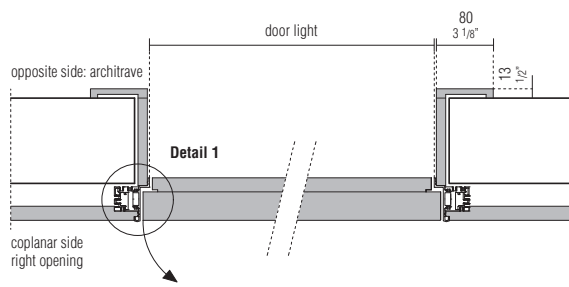
Notes

The casing is also available in the "without trim" version, to be specified when ordering.

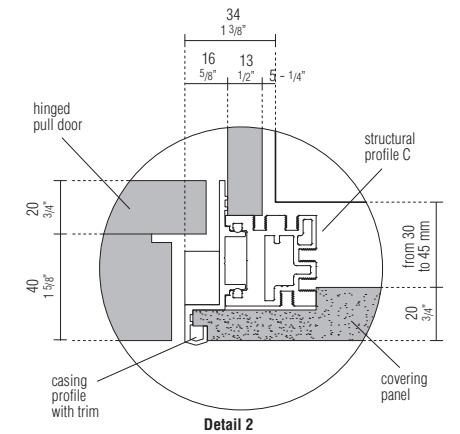
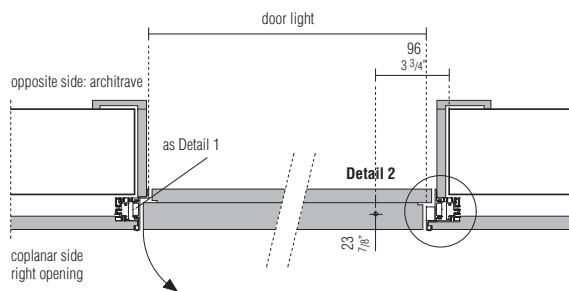
Molteni & C

16 —
18

With invisible and side recessed hinge

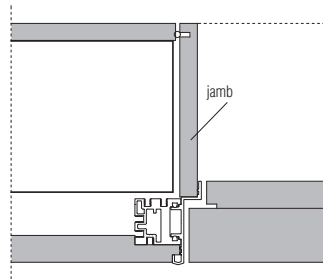


With pivot hinge



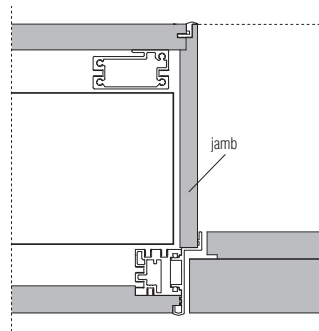
Opposite side examples

Opposite side in plasterboard



Coplanar side panelling

Opposite side panelling



Coplanar side panelling

DATASHEET

REGISTERED
DESIGN

IV.2024

DOORS FOR PANELLING WITH PUSH OPENING

The door opening direction is always indicated with respect to the coplanar side, i.e. the side where the door is aligned with the wall (panelling).

Right or left opening

The opening direction is defined by the position of the hinges, always with reference to the coplanar side. The position of the hinges is usually on the opposite side to the switch.

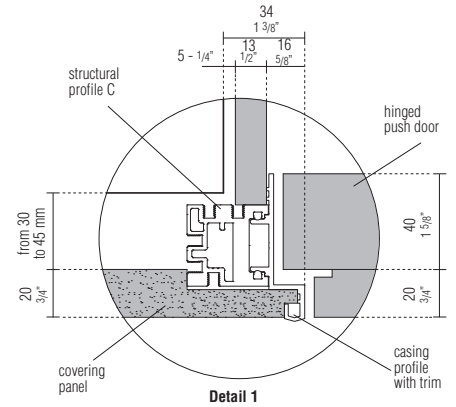
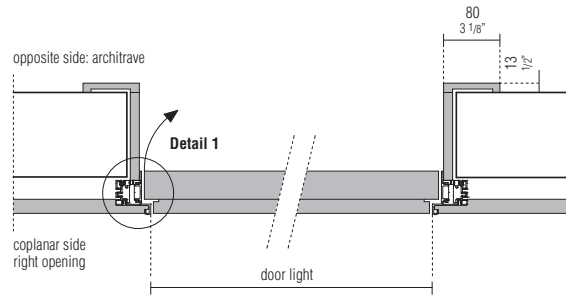
Notes

The casing is also available in the "without trim" version, to be specified when ordering.

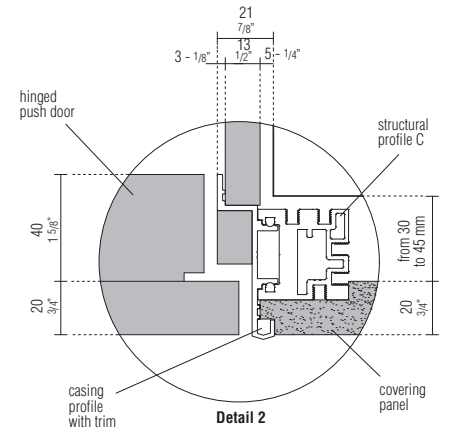
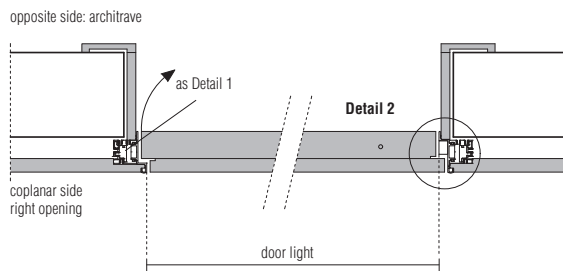
Molteni & C

17—
18

With invisible and side recessed hinge

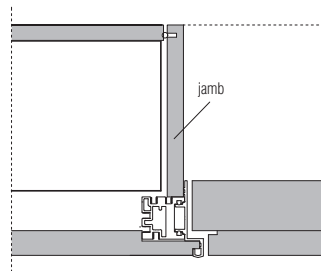


With pivot hinge



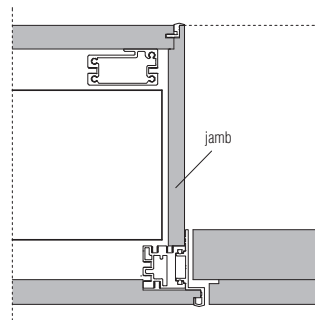
Opposite side examples

Opposite side in plasterboard



Coplanar side panelling

Opposite side panelling



Coplanar side panelling

DATASHEET

REGISTERED
DESIGN

IV.2024

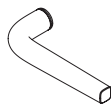
DOOR ACCESSORIES

**Supercerchio
handle**

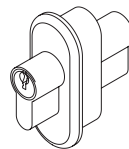
**Supercerchio handle
iris / pewter colour
(pair)**

cylinder with lock
only for use with
Supercerchio handle

**latch with
free/occupied lock**
only for use with
Supercerchio handle



FMAN01



FCSE01



FNSE01

Molteni & C

**Superquadro
handle**

**Superquadro handle
(pair)**

**Superquadro handle
with latch (pair)**



insert
iris / pewter colour wood
insert

FMAN02



insert
iris / pewter colour wood
insert

FMAN03

rod for doors
for heights greater than 2100 mm
(optional)

FTIR01