

# Molteni & C

## D.847.1 Writing desk — GIO PONTI 1947 / 2021

1—  
2



1945 marked the end of the Second World War and the problem of converting war productions into “peace” productions immediately arose in order to restart economic activity. Gio Ponti made contact with an important aircraft manufacturer who owned a factory specialising in the manufacture of gliders. Wood and cloth are, together with great craftsmanship, the most commonly used raw materials. It is, therefore, natural to move into the production of furniture and, as it happens, also wooden toys. In 1947 Gio Ponti designed a “bedroom for a bachelor”, presented first at the Galleria del Sagrato, then at the RIMA - Riunione Italiana Mostre per l'Arredamento - at the Triennale, both in Milan, and finally at the XVI International Exhibition in Barcelona in '48. More than 70 years after its original design, the D.847.1 console table is reborn thanks to the Heritage Collection reissue project by Molteni&C, in collaboration with the Gio Ponti Archives. As with all the projects in the Heritage Collection, careful study of drawings, photos and period materials has made it possible to faithfully reproduce the D.847.1 desk in all its details, bringing to light a masterpiece, inspired by the high level of craftsmanship in solid wood processing.

### DATASHEET

REGISTERED  
DESIGN

IX.2023

D.847.1  
WRITING  
DESK—  
GIO PONTI  
1947 / 2021

## FINISHES

FINISHES	FEET
honey stained ash wood	satin brass

## NOTES

Drawer slide on wooden runners.  
No reductions of any kind are possible.

## TECHNICAL INFORMATION

### STRUCTURE

In solid ash wood (*Fraxinus excelsior*) painted in the specific variant of the product.

### FEET

Feet in satin finish brass and floor support in plastic material.

### TOP

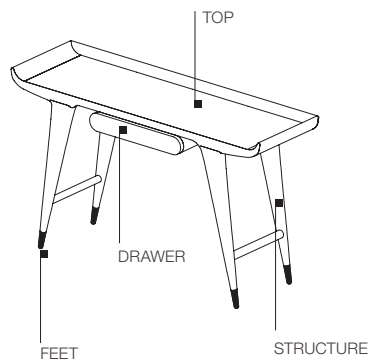
Composite support in medium density fibreboard panel with external parts in solid ash, covered with an ash wood veneer and painted in this specific product variant.

### DRAWER

In solid ash wood (*Fraxinus excelsior*) painted in the specific variant of the product.

# Molteni & C

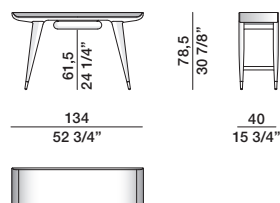
2—  
2



## DIMENSIONS

### writing desk

#### D.847.1



## DATASHEET

REGISTERED  
DESIGN

IX.2023

[moltenigroup.com](http://moltenigroup.com)

Dimensions in centimeters and inches. The right to discontinue and make changes is reserved. This information is based on the latest product information available at the time of printing