

Molteni & C

5050 — RODOLFO DORDONI 2016

1—
3



The wealth of materials used and a rigorous design are the elements that characterize 5050, a collection of bedroom furniture. Gloss or matt lacquered surfaces alternate with wooden tops and Eco Skin trays, creating alternating color effects that please the eye and underscore the play of solids and voids of a geometric design that is never banal. An interesting feature is the rounded contour of the structural elements that make up bedside tables and chests of drawers.

DATASHEET

REGISTERED
DESIGN

IX.2023

moltenigroup.com

Dimensions in centimeters and inches. The right to discontinue and make changes is reserved. This information is based on the latest product information available at the time of printing.

FINISHES

SIDES, FRONTS AND BACK
matt lacquer colours in the
Molteni colour range
glossy lacquer colours in the
Molteni colour range

TOPS AND BASES
eucalyptus
graphite oak

**CHEST OF DRAWERS LOWER SHELF
IN ECO SKIN**

grey
mink
hemp
ivory
dark brown
earth
arctic
taupe

Molteni & C

TECHNICAL INFORMATION

TOP, STRUCTURE FOR DRAWER AND BASE

Chipboard panel covered in Eucalyptus wood (Eucalyptus Globulus) and Oak (Quercus) veneer.

LATERAL PIECES AND SHELVES, SIDES AND INTERNAL DRAWER BOTTOM

Chipboard panel covered in melamine facing.

LATERAL PIECES AND FRONTS

Medium density fibre panel covered in melamine facing, painted in Molteni range colours.

BACK

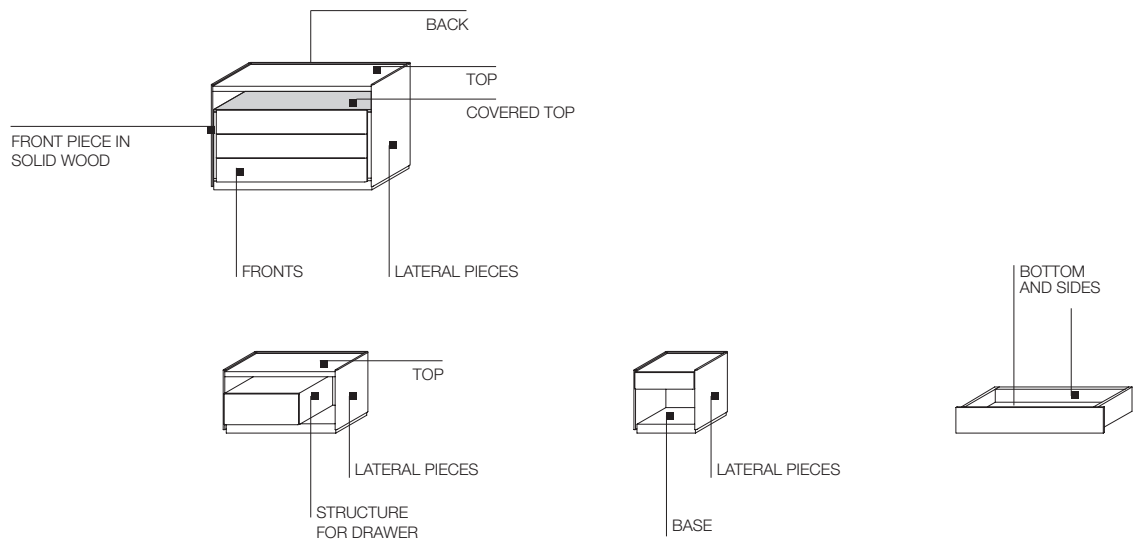
Chipboard panel covered in melamine facing, painted in Molteni range colours.

COVERED TOP

Chipboard panel covered in Eco Skin.

FRONT PIECE IN SOLID WOOD

In solid wood of the Large-leaved Linden (Tilia Platyphyllos) covered in Eucalyptus wood (Eucalyptus Globulus) and Oak (Quercus) veneer.



DATASHEET

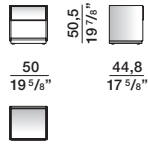
REGISTERED
DESIGN

IX.2023

DIMENSIONS

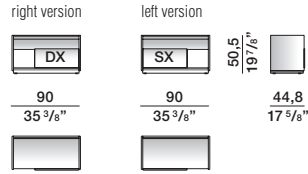
night table

CCD1



night table

CCD2 dx - sx



chest of drawers

CCM1

